

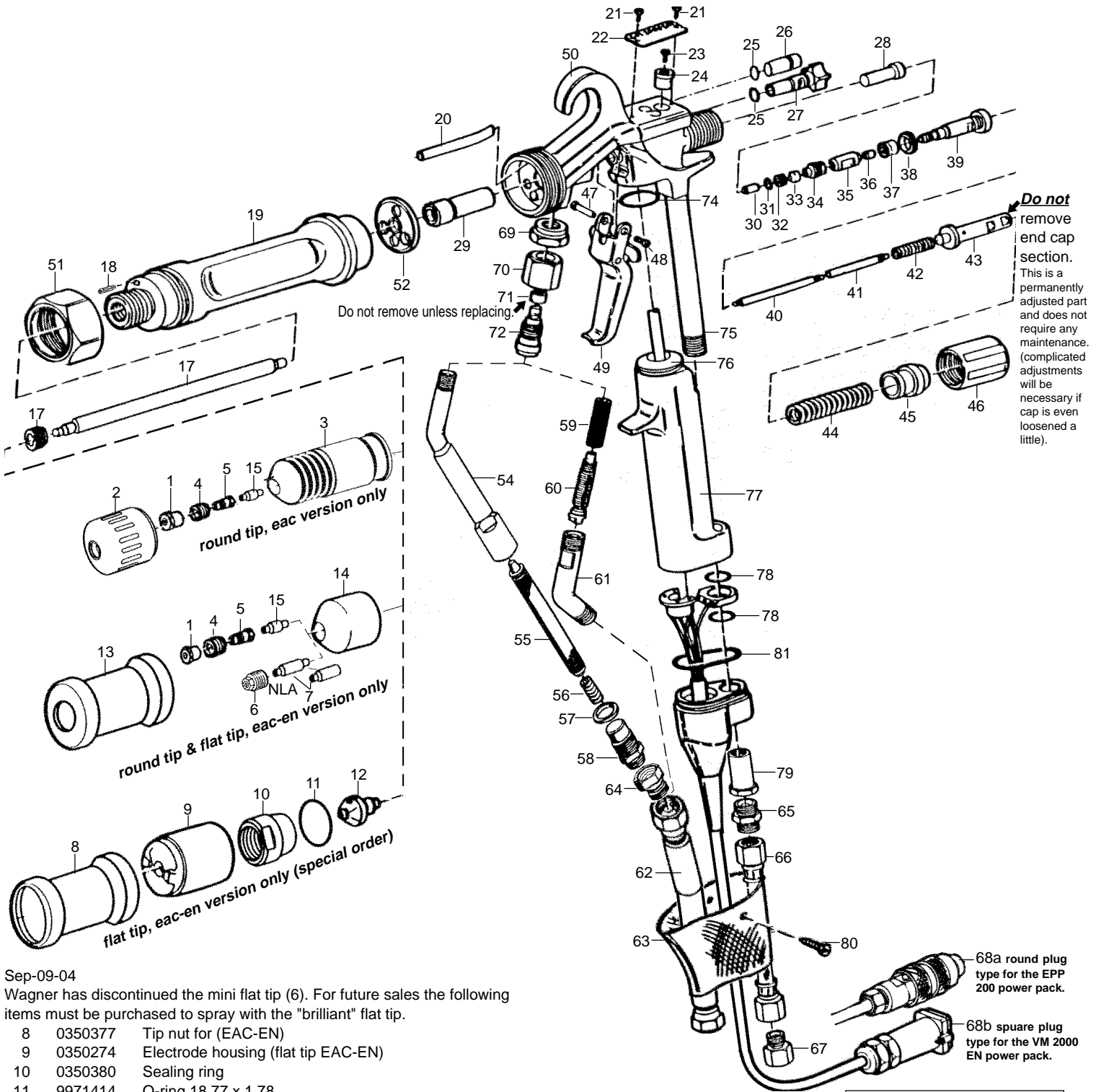
**PARTS DIAGRAM**



**GM2000 EAC & EAC-EN & EAC-B-EN ELECTROSTATIC SYSTEMS**

*Round gun barrel version* with square plug. (VM 2000 square white box, eac-B-EN)

*Triangulated gun barrel version* with round plug. (EPP 200 rectangular beige box, eac-EN)



Sep-09-04  
 Wagner has discontinued the mini flat tip (6). For future sales the following items must be purchased to spray with the "brilliant" flat tip.

- 8 0350377 Tip nut for (EAC-EN)
- 9 0350274 Electrode housing (flat tip EAC-EN)
- 10 0350380 Sealing ring
- 11 9971414 O-ring 18.77 x 1.78
- 12 0143511 Brilliant flat tip .011-10"

On a new unit sale you may credit the following items after installing the above flat tip assembly:

- 13 0179452 Tip nut for EAC-EN
- 1 0132724 Round tip #15
- 14 0179642 Tip body, GM2000
- 4 0132351 Locking screw
- 5 0132516 Diffuser
- 15 0128327 Sealing nipple

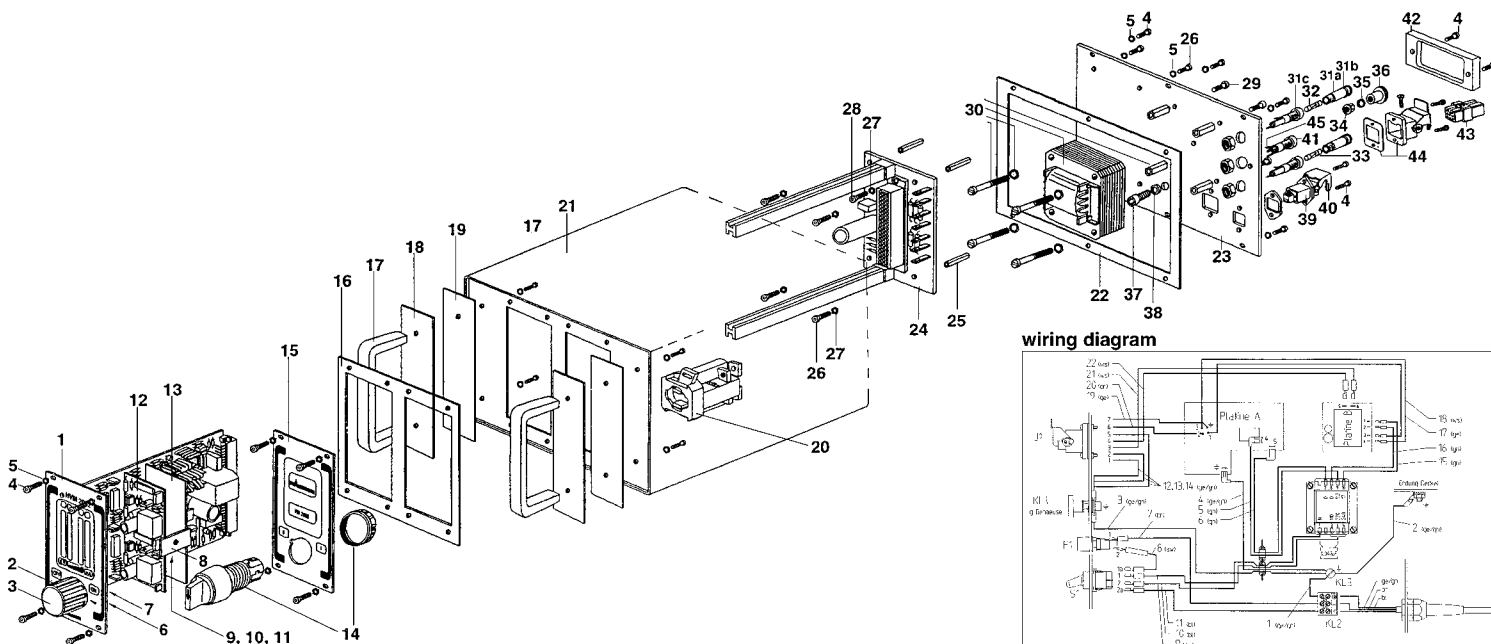
| #68b Cable End Repair   |                                      |
|---|--------------------------------------|
| Following items are to be stocked and installed at head office only |                                      |
| L013-530  | -Body for square 8 pin gun connector |
| L013-531  | -Insert for 8 pin connector          |
| L013-532  | -contact pin, male                   |

### GM2000 EAC & EAC-EN ELECTROSTATIC SYSTEMS

| Pos. | Part nos.  | Description                               | Qty. | Pos.                              | Part nos.                                    | Description                              | Qty. |
|------|--|---|------|-----------------------------------|--|--|------|
|      | <b>L013-007</b>  | <b>VM-2000 kit (power pack &amp; gun)</b> |      | 42                                | 9994247                                      | Compression spring                       | 1    |
|      | <b>L013-008</b>  | <b>VM-2000 portable system</b>            |      | 43                                | 0179253                                      | Adjusting element                        | 1    |
|      | <b>L013-020</b>  | <b>GM-2000 kit (epp 200 power pack)</b>   |      | 44                                | 9994248                                      | Compression spring                       | 1    |
|      | <b>L013-021</b>  | <b>GM-2000 portable system (epp 200)</b>  |      | 45                                | 0179488                                      | Compressing element EAC                  | 1    |
|      | <b>0179013</b>   | <b>GM-2000 gun assembly only</b>          |      | 46                                | 0179356                                      | Regulating knob assembly (incl #45)      | 1    |
| 1    | 0132724  | Round tip, #15 (standard)                 | 1    | 47                                | 0179396                                      | Trigger sleeve                           | 1    |
| 2    | 0179536  | Air cap EAC                               | 1    | 48                                | 9900808                                      | Flat-head screw                          | 1    |
| 3    | 0179664  | Tip body, EAC                             | 1    | 49                                | 0179219                                      | Trigger                                  | 1    |
| 4    | 0132351  | Locking screw                             | 1    | 50                                | 0179658                                      | Gun body, GM2000                         | 1    |
| 5    | 0132516  | Diffuser                                  | 1    | 51                                | 0179328                                      | Barrel nut                               | 1    |
| 6    | 0132762  | Mini flat tip, #11/50 (incl. 0132449)     | 1    | 52                                | 0179487                                      | Barrel seal                              | 1    |
| 7    | 0132449  | Mini flat tip seal, M/M (standard)        | 1    | 54                                | 0179521                                      | Filter housing (eac-EN)                  | 1    |
|      | L013-517   | Mini flat tip seal, M/F (rare)            | 1    | 55                                | L032-518                                     | Gun filter, red                          | 1    |
| 8    | 0350377  | Flat air cap ring (eac-EN)                | 1    | 56                                | L032-519                                     | Filter spring                            | 1    |
| 9    | 0350274  | Flat air cap (eac-EN)                     | 1    | 57                                | 0128389                                      | Seal                                     | 1    |
| 10   | 0350380  | Sealing ring                              | 1    | 58                                | 0128267                                      | Inlet fitting                            | 1    |
| 11   | 9971414  | O-ring 18.77 x 1.78                       | 1    | 59                                | 9995611                                      | Cylindrical filter (eac original)        | 1    |
| 12   | 0143511  | Flat tip, brilliant 11.50 (standard)      | 1    | 60                                | 0179383                                      | Filter screw *WSL (eac)                  | 1    |
| 13   | 0179452  | Tip nut, round eac-EN                     | 1    | altern 632866                     | M50 nylon 1 piece filter, white              | opt                                      |      |
| 14   | 0179642  | Tip body, eac-EN                          | 1    | 632867                            | M100 nylon 1 piece filter, yellow            | opt                                      |      |
| 15   | 0128327  | Sealing nipple                            | 1    | 632868                            | M150 nylon 1 piece filter, red               | opt                                      |      |
| 17a  | Round barrel parts (newest style):                       |   |      | 61                                | 0179241                                      | Material connector (eac)                 | 1    |
|      | Paint channel kit, order the following:                  |   |      | 62                                | L031-073                                     | H.P. hose, 1/4" x 25' fibre braid        | 1    |
|      | 0350501  | Paint channel, 16.2 mm                    | 1    |                                   | L031-012                                     | H.P. hose, 3/16" x 25' steel braid       | 1    |
|      | 0179789  | Lock screw                                | 1    | 63                                | 0179248                                      | Hose cover                               | 1    |
|      | 0353800  | Assembly tool (cgy has 1x for repairs)    | 1    | 64                                | L035-050                                     | Connecting adapter M16x1.5 (eac)         | 1    |
| 17b  | Round barrel parts: (old style, sugg. 0179182 kit above) |   |      | 65                                | 9994627                                      | Double socket                            | 1    |
|      | 0350379  | WSL Paint channel, 17 mm                  | 1    | 66                                | 0128510                                      | Air hose                                 | 1    |
|      | 0179486  | Lock screw                                | 1    | 67                                | 9983226                                      | Connection adapter BSP 1/4 (eac)         | 1    |
| 17c  | Triangular barrel parts:                                 |   |      | 68a                               | 0179239                                      | Gun cable, eac (round plug)              | 1    |
|      | 0179485  | Paint channel, 15.4 mm                    | 1    |                                   | L013-520                                     | Extension cable, 25'eac (round plug)     | opt. |
|      | 0179486  | Lock screw                                | 1    | 68b                               | 0179691                                      | Gun cable, eac-EN (square plug)          | 1    |
| 18   | 9994269  | Contact spring                            | 1    |                                   | 0179228                                      | Extension cable, 25' eac-EN(square plug) | opt. |
| 19   | 0179949  | Barrel, triangulated (eac)                | 1    | 69                                | 0179483                                      | Counter nut                              | 1    |
|      | 0350122  | Barrel, round (eac-B-EN)                  | 1    | 70                                | 0179444                                      | Ring nut                                 | 1    |
| 20   | 9982048  | Hose, 6x1x195mm                           | 1    | 71                                | 0179346                                      | Sealing sleeve                           | 1    |
|      | 0179930  | Repair kit (resistors/reed/tubing/handle) | 1    | 72                                | 0179441                                      | Paint inlet fitting                      | 1    |
| 21   | 9900810  | Screw flathead                            | 2    | 74                                | 9971341                                      | O-ring, 22x1                             | 1    |
| 22   | 9900962  | Type plate, eac                           | 1    | 75                                | 0179352                                      | Handle tube                              | 1    |
|      | 0179739  | Type plate, eac-EN                        | 1    |                                   | 0179351                                      | Connection nipple                        | 1    |
| 23   | 9900962  | Screw countersunk, M3 x 12                | 1    | 76                                | 9953640                                      | Reed switch (GM-2000)                    | 1    |
| 24   | 0179354  | Bushing                                   | 1    | 77                                | 0179461                                      | Cascade (eac-B-EN, round, VM2000)        | 1    |
| 25   | 9971003  | O-ring                                    | 2    |                                   | 0179695                                      | Cascade (eac-EN, triangle,EPP200)        | 1    |
| 26   | 0179554  | Throttle pin (eac-EN)                     | 1    |                                   | 0179646                                      | Cascade (eac, triangle, StaticKit)       | 1    |
| 27   | 0179416  | Knob, Air Adjustment                      | 1    | 78                                | 9971364                                      | O-ring, 13x1.5                           | 2    |
| 28   | 0179350  | Guide bushing                             | 1    | 79                                | 0179371                                      | Fitting                                  | 1    |
| 29   | 0179665  | Valve seat with housing                   | 1    | 80                                | 9905504                                      | Screw, 3x4                               | 2    |
| 30   | 0179236  | Ball                                      | 1    | 81                                | 9971343                                      | Handle o-ring                            | 1    |
|      | 0179254  | Valve assembly (Pos. 30-43)               | 1    | <b>Below items are not shown:</b> |  |  |      |
| 31   | 9971182  | O-ring                                    | 1    | n/s                               | 0128901                                      | Tip wrench                               | 1    |
| 32   | 0179343  | Packing spacer                            | 1    | n/s                               | 0130215                                      | Grounding cable                          | 1    |
| 33   | 0179341  | Fluid packing, 6mm OD                     | 1    | n/s                               | 0179901                                      | Universal wrench                         | 1    |
| 34   | 0179342  | Packing nut                               | 1    | n/s                               | 0179946                                      | Seal kit (GM 2000)                       | 1    |
| 35   | 0179340  | Air seal cap                              | 1    |                                   | consisting of: 1x#37,1x#36,1x#33,1x#31       |  |      |
| 36   | 0179395  | Air packing, 4mm OD                       | 1    | n/s                               | 0179941                                      | Metal screen & seal kit (GM 2000)        |      |
| 37   | 0179339  | Black air seal                            | 1    |                                   | consisting of: 3x#59,2x#15,1x#37,1x#36,1x#31 |  |      |
| 38   | L004-571   | Rubber O-ring (for deep groove)           | 1    | n/s                               | 0179963                                      | Tip body removal tool                    | 1    |
|      | 9971372  | Teflon O-ring (for shallow groove)        | 1    | n/s                               | 9951110                                      | Fuse, 1.6 amp                            | 2    |
| 39   | 0179337  | Air valve body                            | 1    | n/s                               | 9951115                                      | Fuse, .5 amp                             | 2    |
| 40   | 0179335  | Ball shaft                                | 1    | n/s                               | 9994682                                      | Protective glove for gun                 | 1    |
| 41   | 0179394  | Spring guide                              | 1    |                                   |  |  |      |

# PARTS LIST & DIAGRAM

## VM 2000 ELECTROSTATIC POWER PACK



| Pos. | Part nos.       | Description                              | Qty. |
|------|-----------------|--|------|
|      | <b>L013-007</b> | <b>VM2000 kit (power pack &amp; gun)</b> |      |
|      | <b>0179115</b>  | <b>VM2000 power pack only</b>            |      |
| 1    | 0350015         | Modul HVM2082 kpl.                       | 1    |
| 2    | 9952607         | Rotary knob                              | 1    |
| 3    | 9952606         | Rotary knob cap                          | 1    |
| 4    | 9903311         | Oval head screw M3x10H                   | 14   |
| 5    | 9922011         | Serrated lock washer A3,2                | 14   |
| 6    | 9950814         | Sealing nut, potentiometer               | 1    |
| 7    | 9952339         | Potentiometer                            | 1    |
| 8    | 0260362         | PCB holder                               | 2    |
| 9    | 9903333         | Oval head screw M2,5x5                   | 1    |
| 10   | 9952597         | Spacer bolt M2,5x40                      | 1    |
| 11   | 9903215         | Oval c'sunk screw M2,5x6                 | 1    |
| 12   | 0260253         | PCB assy switch control HVM              | 1    |
| 13   | 0260252         | PCB assy control unit HVM                | 1    |
| 14   | 9950954         | Selector switch button                   | 1    |
| 15   | 0179729         | Front plate VM2000                       | 1    |
| 16   | 0179721         | Front gasket VM2000                      | 1    |
| 17   | 9994110         | Handle with screws                       | 2    |
| 18   | 0350367         | Handle support VM2000                    | 2    |
| 19   | 0241362         | Distance piece                           | 2    |
| 20   | 9950950         | Switch on/off modular                    | 1    |
| 21   | 0179719         | Housing VM2000                           | 1    |
| 22   | 0179722         | Rear panel seal VM2000                   | 1    |

| Pos. | Part nos. | Description                   | Qty. |
|------|-----------|-------------------------------|------|
| 23   | 0179730   | Rear panel VM2000             | 1    |
| 24   | 0179726   | PCB assy VM2000               | 1    |
| 25   | 9935003   | Space bracket                 | 4    |
| 26   | 9903306   | Oval head screw M3x8          | 8    |
| 27   | 9920114   | Washer A3,2                   | 1    |
| 28   | 9900744   | Cap head screw M3x10          | 1    |
| 29   | 9903301   | Oval head screw M4x8          | 4    |
| 30   | 9955017   | Transformer with screws       | 1    |
| 31a  | 9955021   | Fuse holder cap               | 2    |
| 31b  | 9971172   | Cap o-ring, 8x3               | 2    |
| 31c  | 9951103   | Fuse holder complete with cap | 2    |
| 32   | 9951110   | Fuse, slow 1,6A               | 1    |
| 33   | 9951115   | Fuse, slow 0,5A               | 1    |
| 34   | 9992131   | Sealing nut, Seal-Lock        | 1    |
| 35   | 9920118   | Washer                        | 1    |
| 36   | 9910522   | Knurled nut                   | 1    |
| 37   | 9900315   | Cap head screw                | 1    |
| 38   | 9922109   | Serrated lock washer          | 1    |
| 39   | 9952587   | Plug (for 115vac connection)  | 1    |
| 40   | 9950330   | Securing ring                 | 1    |
| 41   | 9955022   | Voltage selector              | 1    |
| 42   | 0241323   | Cover                         | 1    |
| 43   | 9952653   | Plug, contact insert          | 1    |
| 44   | 9950392   | Plug (for gun connection)     | 1    |
|      | L013-534  | Latch (for gun connection)    |      |
| 45   | 9982126   | Insulating hose 0.1 m         | 1    |
|      | 0179723   | Rear panel assy VM2000        | 1    |

**Other:**

|         |                              |   |
|---------|------------------------------|---|
| 0264626 | Power cable VM2000 (for #39) | 1 |
| 0130215 | Grounding cable              | 1 |