

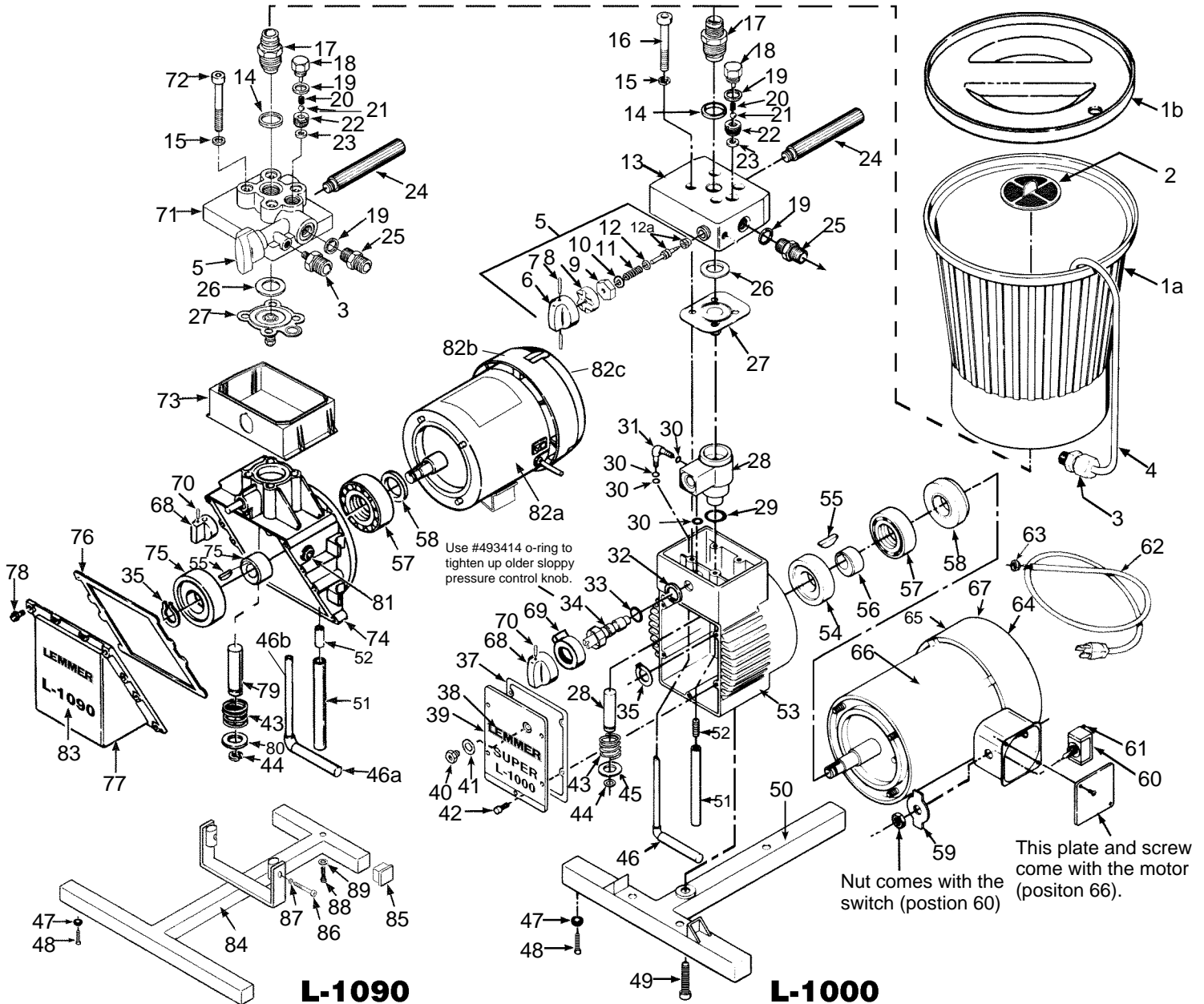
# PARTS DIAGRAM

## L-1090 / L-1000

**Important, following items require accurate torques:**

- #9 hex nut cap ..... 5 ft/lbs
- #12a prime/spray valve seat ..... 12 ft/lbs
- #16 block bolt ..... 25 ft/lbs
- #17 inlet valve ..... 50 ft/lbs
- #22 outlet valve seat ..... 20 ft/lbs
- #23 must replace if removed

**Remember!** Clean sprayer and oil inlet valve (position 17) after every job!

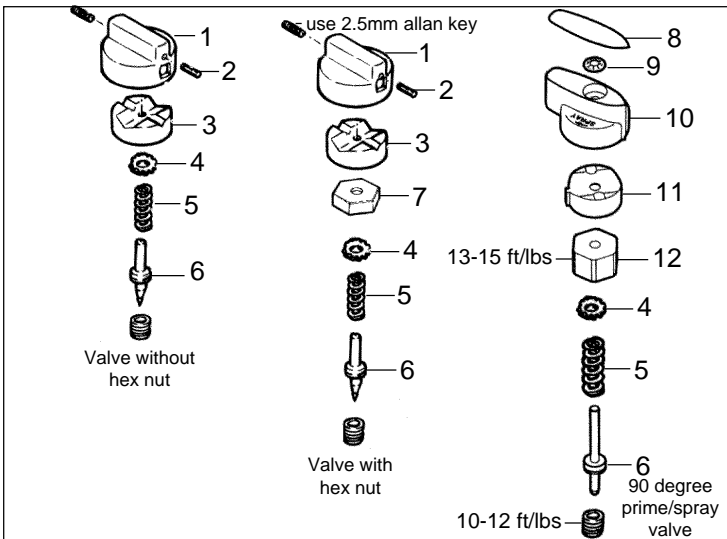


### L-1090 / L-1000

Pos.	Part nos.	Description	Qty.	Pos.	Part nos.	Description	Qty.
	<b>L004-003</b>	<b>L-1000 airless paint sprayer</b>		44	L004-543	Ring, snap	1
	<b>L004-004</b>	<b>L-1090 airless paint sprayer</b>		45	L004-544	Spring support	1
1a	L004-502	Hopper, black (bare)	1	46a	L004-545	Oil suction tube	1
1b	0288668	Hopper lid	opt.	46b	L080-548	Poly tube only (aftermarket part)	1
2	L004-501	Hopper screen	1	47	L004-546	Rubber bumper	8
3	L004-503	Fitting	1	48	L004-547	Pin, anchor	8
4	L004-504	Return tube	1	49	L004-548	Bolt	1
	L004-505	Return tube compl. (with fitting #3)	1	50	L004-549	Stand (incl.pos.47 & 48)	1
5	L004-506	Prime valve complete	1	51	L004-550	Oil return tube	1
	460095	Bolt to plug prime hole-must modify (electro unit)		52	L004-551	Connector	1
	L006-517	Seal for above custom plug		53	L004-552	Hydraulic housing	1
6	L004-577	Knob (new set screw style)	1	54	L002-518	Bearing, ball	1
7	L004-578	Set screw, for new style knob	2	55	L004-554	Key	1
	L004-508	Pin, for old style knob		56	L004-555	Sleeve, eccentric	1
8	L004-509	Cam	1	57	L004-556	Bearing, ball	1
9	L004-582	Hex nut cap (new style)	1	58	L004-557	Seal, oil	1
10	L004-510	Washer, lock	1	59	L004-558	On-off indicator plate	1
11	L004-511	Spring	1	60	L004-559	Switch (incl.pos. 59)	1
12	L004-571	O-Ring (lacquer)	1	61	L004-560	Connector, spade	4
13	L004-513	Paint block	1	62	L004-561	Electric cord	1
14	L004-514	Seal, nylon	1	63	L004-562	Grommet, strain relief	1
15	L002-714	Washer, lock	4	64	L004-563	Fan blade, Doer motor. (double 1/2 moon=L004-563)	1
16	L004-516	Bolt	4	65	L004-564	Screw, fan cover	3
17	L004-517	Inlet valve (incl.pos.14)	1	66	L004-565	Motor (incl.pos. 64,65,67.)	1
18	L004-518	Cap, outlet	1	67	L004-568	Fan cover	1
19	L004-519	Seal, copper	2	68	L004-573	Knob, P.C.	1
20	L004-520	Ball spring	1	69	L004-574	Stop cap insert	1
21	L004-521	Ball, T.C. (6mm)	1	70	L004-575	Screw, set (for P.C. knob)	2
22	L004-522	Seat, outlet	1	*	L004-567	Electronic start kit	1
23	L004-523	Seat seal	1	*	L004-572	Franklin start switch	1
24	L004-524	Handle	1	71	L004-600	Paint block, L1090	1
25	L004-525	Fitting, outlet	1	72	L004-601	Block bolt, L1090	4
26	L004-526	Ring, insert	1	73	L004-602	Shroud	1
27	L004-527	Diaphragm	1	74	L004-603	Hydraulic housing, L1090	1
28	L004-528	Pressure vessel (incl.pos.29-31)	1	75	L004-604	Eccentric ass'y, L1090	1
29	L004-529	O-Ring	1	76	L004-605	Cover gasket, L1090	1
30	L004-530	O-Ring	4	77	L004-606	Front cover, L1090	1
31	L004-531	Elbow, 90 deg.	1	78	L004-607	Cover screw, L1090	12
32	L004-532	Seal, copper	1	79	L004-608	Hydraulic piston, L1090	1
33	L004-533	O-Ring	1	80	L004-609	Piston retainer, L1090	1
34	L004-534	Pressure control valve (incl.pos. 33)	1	81	L015-193	Plug	1
*	L002-585	Inner O-Ring (original)	1	82a	L004-610	Motor, L1090	1
*	493414	Inner O-Ring (thicker)	1	82b	L006-572	Fan cover, L1500/L1090	1
35	L004-535	Ring, snap	1	82c	L006-571	Fan blade, L1500/L1090	1
37	L004-536	Gasket, cork cover	1	82d	L006-568	On/Off switch (not shown)	1
38	L004-537	Decal	1	83	L004-593	Cover decal, L1090	1
39	L004-538	Cover with decal	1	84	L004-587	Stand, L1090HD	1
40	L004-539	Plug, oil filler	1	85	L075-152	Black end cap	4
41	L004-540	O-Ring	1	86	L004-589	Bolt, 1/4 x 1.25	2
42	L004-541	Bolt, cover	7	87	L004-590	Shake proof washer	2
43	L004-542	Piston spring	1	88	L005-741	Bolt, 1/4x 3/4	1
				89	L001-525	Lock washer	1

**Accessories:**

L004-570	Manual, L-1090/L-1000	1
L034-120	Hydraulic oil, 1 litre	1



Pos.	Part nos.	Description	Qty.
	<b>L004-506</b>	<b>Prime valve complete</b>	
1	L004-577	Knob (for 2 set screws)	1
2	L004-578	Set screw (2.5mm allen key)	2
	L004-508	Pin, for old style knob	0
3	L004-509	Cam	1
4	L004-510	Washer, lock	1
5	L004-511	Spring	1
6	L004-571	O-Ring (lacquer)	1
7	L004-582	Hex nut cap	1
8	L004-583	Decal, 90deg	1
9	L006-606	Knob retainer	1
10	L004-584	Knob, 90deg	1
11	L004-585	Cam, 90deg	1
12	L004-586	Hex nut cap, 90deg	1