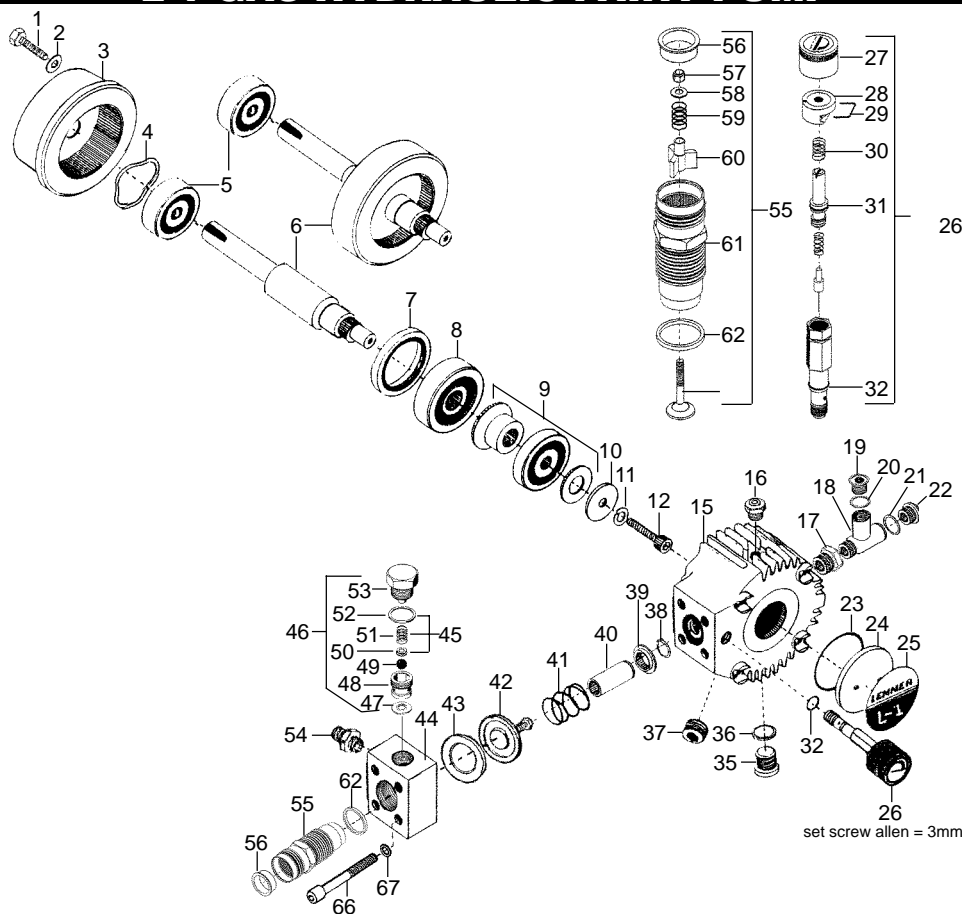


PARTS LIST & DIAGRAM

L-1 GAS HYDRAULIC PAINT PUMP



Pos.	Part nos.	Description	Qty.
	L005-709	L-1 Gas hydraulic paint pump	
1	L005-716	Allen bolt	4
2	L005-717	Lock washer	4
3	L005-714	Bearing flange	1
4	L001-506	Spring washer	1
5	L001-507	Bearing (for L005-723 new crank)	1
	L005-718	Bearing (for L005-715 old crank)	
6	L005-723	Crankshaft (new style without flywheel)	1
	L005-715	Crankshaft (old style with flywheel)	
7	L005-784	Oil seal (double lip)	1
8	L001-512	Ball bearing	1
9	L001-523	Piston bearing	1
10	L001-524	Flat washer	1
11	L001-525	Lock washer, knurled	1
12	L001-526	Bolt, soc (M6 x 15)	1
15	L005-502	Oil housing	1
	L002-586	Hydraulic sleeve	1
16	L001-527	Vent plug	1
17	L005-772	Adapter, 1/2m x 3/8F	1
18	L005-773	Oil fill housing	1
19	L005-774	Oil fill plug	1
20	L005-779	O-ring (14x1.5)	1
21	L005-561	Seal, 3/8"	1
22	L005-560	Sight glass w/seal, 3/8"	1
23	L001-530	O-ring	1
24	L001-532	Oil housing cover	1
25	L005-501	Decal	1
26	L001-534	Pressure regulator (incl. pos. 27-32)	1
27	L001-583	Regulator knob	1
28	L002-582	Stop cap	1
29	L002-583	Clip	1
30	L001-563	Spring, long	1

Pos.	Part nos.	Description	Qty.
31	L001-586	O-ring	1
32	L001-535	O-ring	1
35	L001-536	Drain plug	1
36	L001-537	Copper seal	1
37	L001-538	Drain plug	1
38	L002-537	Snap ring	1
39	L002-538	Spring retainer	1
40	L005-504	Piston, L-1	1
41	L002-589	Piston spring	1
*42	L005-506	Diaphragm	1
43	L005-578	Block insert, Stainless Steel	1
	L002-545	Block insert, Nylon	
44	L005-548	Paint block, bare	1
45	L005-535	Outlet spring kit (52,51,52)	1
46	L002-546	Outlet valve kit	1
*47	L001-558	Nylon seal	1
*48	L001-559	Outlet seat	1
*49	L001-561	Ball, T.C. (11 mm)	1
*50	L001-562	Spring cup	1
*51	L005-509	Spring, short	1
*52	L001-564	Copper seal	1
53	L002-547	Outlet cap	1
54	L036-001	Connector, 1/4m	1
*55	L002-550	Inlet valve (incl. pos. 56-62)	1
56	L002-552	Inlet sleeve (short)	1
57	L032-549	Nut	1
58	L002-576	Flat washer	1
59	L002-577	Spring	1
60	L002-578	Valve guide	1
61	L002-579	Valve housing	1
62	L002-551	Nylon seal	1
66	L001-551	Bolt, 60mm (for long inlet valve)	4
67	L001-550	Lock washer, knurled	4

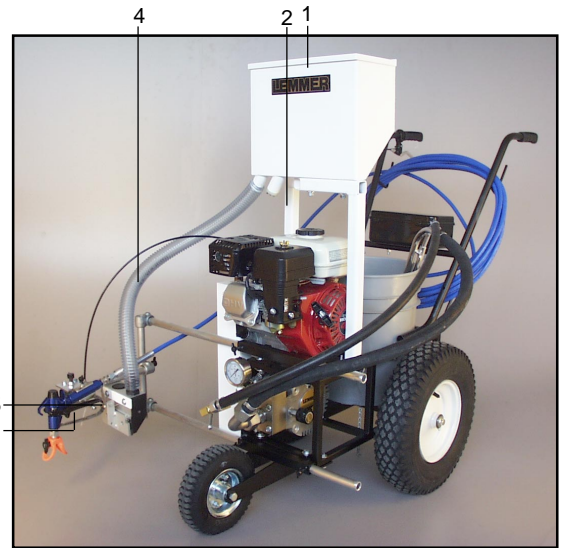
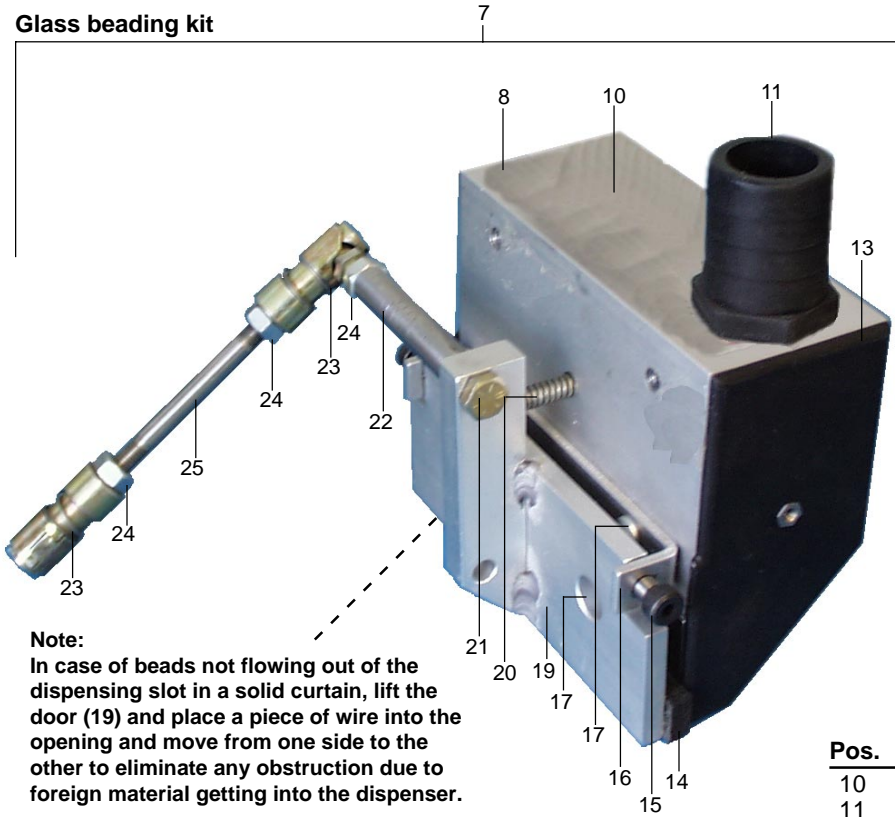
Accessories:

* L005-119 Repair kit (incl. 42,47,48,49,50,51,52,55)opt

Specifications subject to change.

L-1 LINEPRO ACCESSORIES

Glass beading kit



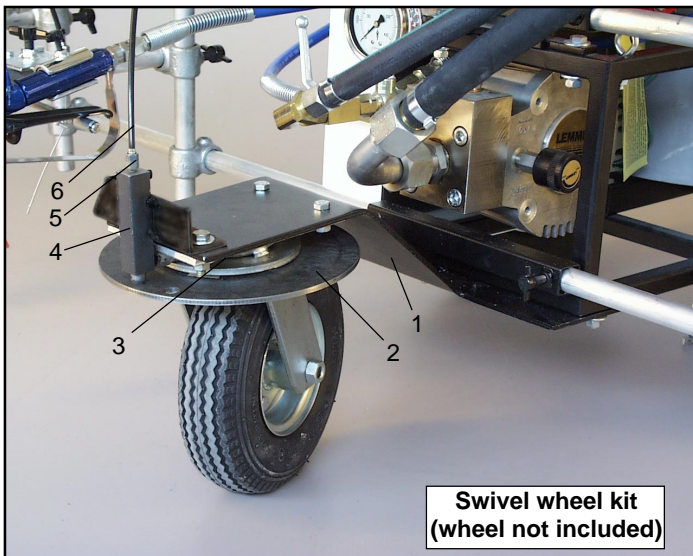
Note:

In case of beads not flowing out of the dispensing slot in a solid curtain, lift the door (19) and place a piece of wire into the opening and move from one side to the other to eliminate any obstruction due to foreign material getting into the dispenser.

Pos.	Part nos.	Description	Qty.
	L005-114	Glass beading kit	
	L005-117	2nd glass bead head kit (#4,5,6,7)	
1	L005-140	Glass bead tank	1
2	L005-141	Tank bracket	1
	L005-144	U-bolt	1
4	L035-317	PVC hose per foot	4
5	L005-142	dispenser bracket	1
6	L005-143	Trigger arm	4
	L005-163	7/8" spacer tube	2
7	L005-145	Dispenser head with linkage, 4"	1
8	L005-151	Housing, 4"	1
	L005-147	screw (front plugs)	2

Pos.	Part nos.	Description	Qty.
10	L005-146	cap	1
11	L005-148	Inlet fitting	1
	L005-149	Lock nut	1
13	L005-152	End plate set	1
14	L005-158	Door seal	1
15	L005-155	Bolt, shoulder	2
16	L005-153	Door bracket, 4"	1
17	L005-154	Screw	4
	L005-156	Adjusting plate, 4"	1
19	L005-157	Dispenser door	1
20	L005-159	Spring	1
21	L002-709	bolt	3
22	L005-160	Linkage extension, 2.25"	1
23	L005-161	Quick connect swivel w/ball	2
24	L002-815	nut 1/4"	4
25	L005-162	Linkage rod, 3.25"	1

Swivel wheel kit

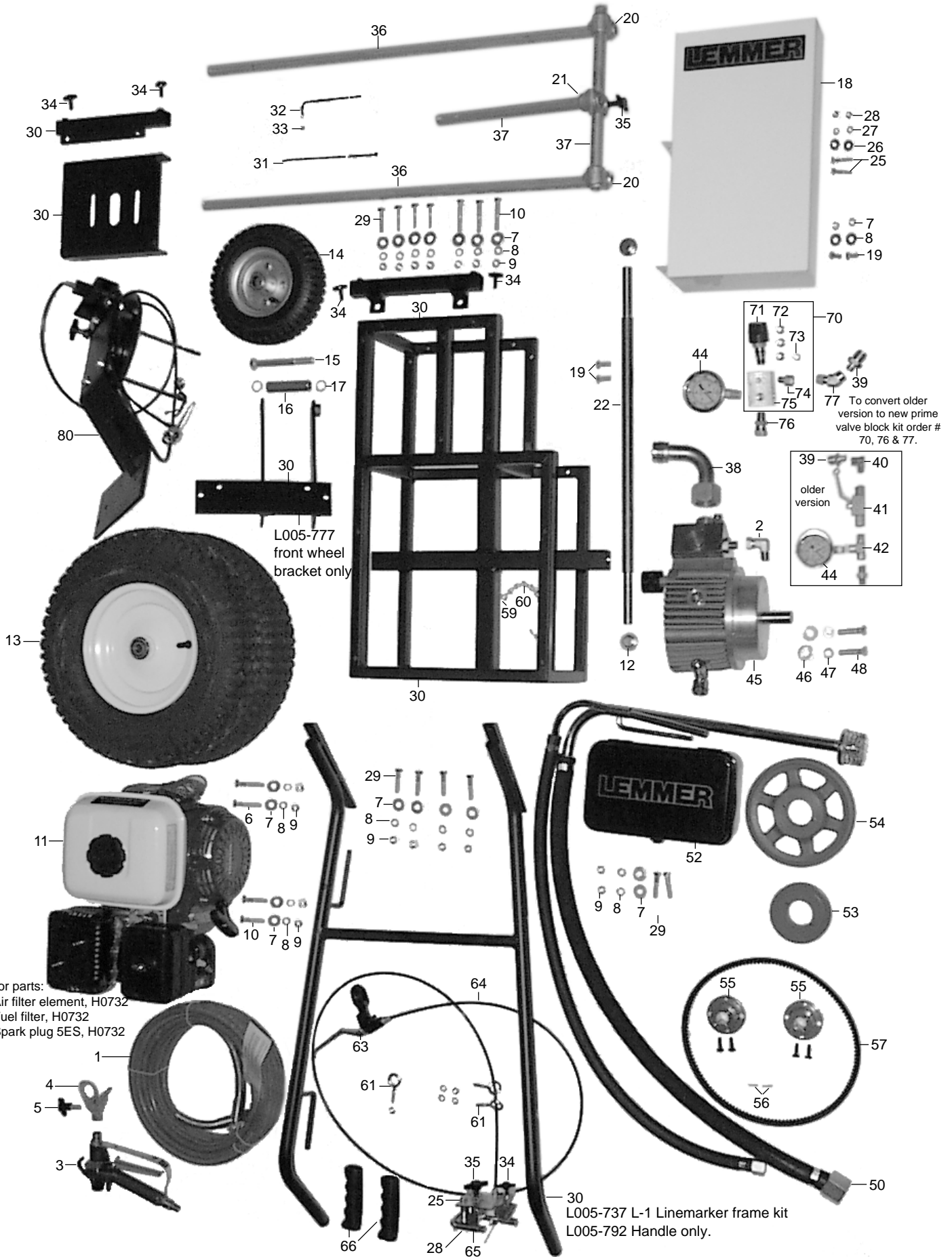


Swivel wheel kit (wheel not included)

Pos.	Part nos.	Description	Qty.
	L005-115	Swivel kit, L-1 LinePro	
1	L005-776	Bracket	1
	L002-715	Hex bolt, 5/16" nc x 1.5"	2
	L002-781	Hex bolt, 5/16" nc x 1"	2
	L005-713	Flat washer, 5/16"	8
	L002-714	Lock washer, 5/16"	4
	L002-713	Hex nut, 5/16"nc	4
2	L005-200	Swivel castor	1
3	L005-204	Wing bolt	2
4	L005-201	Pin body assembly	1
	L005-209	Locking pin	1
	L005-225	Spring	1
	L002-724	Hex nut, 1/2" nc	1
	L005-226	Set screw, 4-40	1
5	L002-775	Cable end adjuster	1
	460184	Hex nut, M6	1
6	L005-203	Shifter assembly	1
	L005-202	Cable wire	1
	L005-205	Cable sheath	1

PARTS DIAGRAM

L-1 LINEPRO



Honda motor parts:
L005-580 Air filter element, H0732
L005-581 Fuel filter, H0732
L005-582 Spark plug 5ES, H0732

Specifications subject to change.

L-1 LINEPRO

Pos.	Part nos.	Description	Qty.	Pos.	Part nos.	Description	Qty.
	L005-111	L-1 Linemarker system complete			L035-207	O-clamp, 1-1/8"	2
	L005-112	L-1 Linemarker 2nd gun kit			L001-577	Pipe (5 Gal. x 3/4")	1
1	L031-074	Nylon hose, 1/4" x 50'	1		L005-795	Pipe, 5Gal. x 1/2" (2009 up)	1
2	L036-271	Elbow swivel, 1/4MF	1		L001-578	Basket screen (coarse)	1
3	L032-009	L-50N gun w/o tip nut	1		L005-800	Inlet screen, 12M x1/2"F (2009 up)	1
4	L038-001	BB housing, L thread	1		L005-553	Return system (L-1VN)	1
5	L005-306	Line striping tip (21-08)	1		L002-568	Return nut	1
6	L005-745	Bolt, 5/16" x 2-1/2" NC	2		L002-569	Return insert	1
7	L005-713	Flat washer (5/16")	37		L005-570	Return hose (1/2" x 34")	1
8	L002-714	Split lock washer (5/16")	19		L035-313	Return hose, 1/4" ID poly/ft (2009 up)	4
9	L002-713	Hex nut (5/16" NC)	19		L035-204	O-clamp, 7/8"	2
10	L005-744	Bolt, 5/16" x 2" NC	5		L001-568	Pipe (1/2" return)	1
11	L005-700	4.0 H.P. Honda motor (Gx110 QH)	1	52	L002-556	Tool box	1
	L002-702	Ground wire	1	53	L002-707	Pulley AK 39H	1
12	L006-576	Wheel cap retainer	2		L002-789	Pulley w/bush, A39 x 3/4" (2010 up)	1
	L002-560	Cotter pin (1/8"x2") (older models)	2	54	L005-706	Pulley AK 69H	1
13	L002-759	Wheel, 16" No-Flat w/ 5/8 brngs-2012	2	55	L005-704	Bushing H-3/4" (1x used 2010 up)	2
	L002-754	Wheel, 16" grip pne with 3/4" bearings	2	56	L005-703	Key, 3/16 x 3/4	2
	L002-755	Wheel grip tread, 16"		57	L005-729	Belt AX-32	1
	L002-757	Wheel bearing, #6202 with snap, 16"		59	L005-701	Screw (#8 x 1/2")	1
	L002-748	Wheel rubber tube, 16"		60	L005-748	9" Ground chain	1
	L002-758	Wheel rim, steel, 16"		61	L005-749	Cable guide (1/4" x 2" NC)	3
	<i>Wheel, older smooth style:</i>			63	L005-754	Trigger c/w adjuster	1
	L002-721	Wheel, 16" pne with oil lite bushings	2	64	L005-747	Gun cable bare (2.0M)	1
	L002-749	Wheel bushing, oil lite, 16"		65	L005-775	Gun mount with trigger rod only	1
	L002-748	Wheel rubber tube, 16"			L002-774	Cable lock screw	1
14	L005-768	Wheel, 8" pne with 3/4" bearings	1		L002-775	Cable end adjuster	1
	L002-823	Wheel tread, 8"			460184	Hex nut (M6)	1
	L002-822	Wheel rubber tube, 8"			L005-746	Spacer (3/8" x 1")	3
15	L005-770	Bolt (1/2" x 4-1/2" NC)	1		L002-783	Cotter pin (1/16" x 1")	3
16	L005-769	Bushing for 8" wheel	1	66	L075-153	Handgrip	2
17	L001-555	Metal spacer	2	70	L034-022	Prime valve block kit	1
18	L005-725	Belt guard	1	71	L006-593	Prime valve	1
	L005-765	Decal, linemarker caution	1	72	L036-071	Plug, 1/4"	3
	L075-277	Decal, Lemmer logo, 7.5"	1	73	L036-070	Plug, 1/8"	1
19	L005-743	Bolt, 5/16" x 3/4"NC	4	74	L035-529	Reducer, 1/8"M x 1/4"F	1
20	L005-730	1/2" KEE clamp w/set screws	2	75	L034-021	Prime valve block	1
	L005-728	Screw, set (3/8" BSF)		76	L036-211	Swivel fitting, 1/4" MF	1
21	L005-764	1/2" KEE clamp (for 3/8 T-knob)	1	77	L036-151	Elbow, 1/4 MF 45 degree	1
22	L002-756	Axle, 3/4" (5/8" stubs)	1		Accessories:		
25	L002-814	Hex bolt (1/4" NC x 1-1/2")	4	80	L005-113	Swivel assembly	opt.
26	L002-817	Flat washer (1/4")	4		L005-566	Manual for Linemarkers	1
27	L002-816	Split lock washer (1/4")	2		L005-112 2nd gun kit consists of:		
28	L002-815	Hex nut (1/4" NC)	4	20	L005-730	1/2" KEE clamp w/set screws	2
29	L002-715	Hex bolt (5/16" NC x 1-1/2")	10		L005-728	Screw, set (3/8" BSF)	
30	L005-737	L-1 Linemarker frame kit	1	21	L005-764	1/2" KEE clamp (middle)	1
31	L013-512	Plastic zip tie	3	25	L002-814	Hex bolt (1/4" NC x 1-1/2")	2
32	L005-727	Allan wrench, 3/16	1	28	L002-815	Hex nut (1/4" NC)	2
33	L005-728	Set screw, 3/8	1	34	L005-739	1/4" plastic tee knob	1
34	L005-739	1/4" plastic tee knob	5	35	L005-740	3/8" plastic tee knob	2
35	L005-740	3/8" plastic tee knob	2	36	L005-751	Main gun bar (44")	2
36	L005-731	Main gun bar (30")	2	37	L005-732	Short gun bar (12")	2
37	L005-732	Short gun bar (12")	2		L075-351	Blue plastic cap	8
	L075-351	Blue plastic cap	8	61	L005-749	Cable guide (1/4" x 2" NC)	3
38	L005-541	Suction elbow (L-1V)	1	63	L005-754	Trigger c/w adjuster	1
	L005-796	Suction elbow, M36 x 3/4H (2009 up)	1	64	L005-753	Gun cable bare (2.3M)	1
39	L002-605	Fitting, male dump valve	1	65	L005-775	Gun mount with trigger rod	1
	L035-715	Fitting, 1/4M x 1/4H (2009 up)	1		L002-774	Cable lock screw	1
40	L035-601	Elbow, 90 deg. 1/4MF	1		L002-775	Cable end adjuster	1
41	L034-020	Dump valve FF1/4	1		460184	Hex nut (M6)	1
42	L036-181	Tee, 1/4MFF	1		L005-746	Spacer (3/8" x 1")	3
44	L034-101	Pressure guage, 0-6000 PSI	1		L002-783	Cotter pin (1/16" x 1")	2
45	L005-709	L-1G hydraulic paint pump	1	3	L032-009	L-50 gun	1
46	L002-718	Flat washer (3/8")	2	1	L031-074	Hose, fibre 1/4" x 50'	1
47	L002-508	Split lock washer (3/8")	2	4	L038-001	BB tip housing, L thread	1
48	L002-507	Hex bolt (3/8" NC x 1-1/2")	2	5	L038-153	BB Tip, 3-15	2
50	L005-551	Suction/return syst. (L-1VN)	1		L005-766	Fitting, for 2nd gun	1
	L005-546	Suction hose complete	1		L005-727	Allen key, 3/16"	1
	L002-572	Suction nut	1				
	L005-544	Suction insert 3/4"	1				
	L005-554	Suction hose (34")	1				