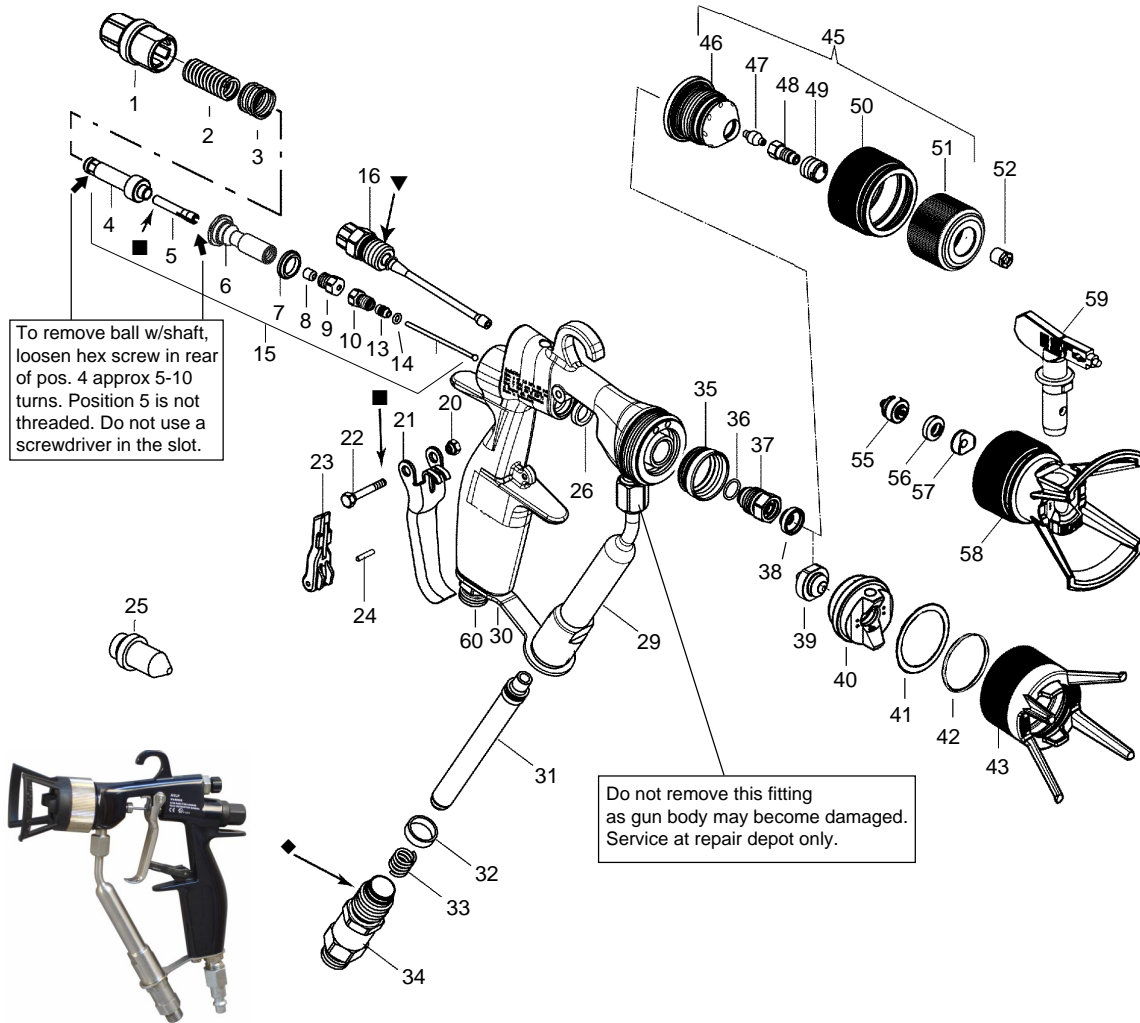


PARTS DIAGRAM GM3600 AC GUN



To remove ball w/shaft, loosen hex screw in rear of pos. 4 approx 5-10 turns. Position 5 is not threaded. Do not use a screwdriver in the slot.

Do not remove this fitting as gun body may become damaged. Service at repair depot only.

Pos. 36 - GM3600 Flat Tip Chart

- L014-312 GM3600 Flat Tip, 09/20
- L014-313 GM3600 Flat Tip, 09/30
- L014-314 GM3600 Flat Tip, 09/40
- L014-315 GM3600 Flat Tip, 09/50
- L014-317 GM3600 Flat Tip, 11/10
- L014-318 GM3600 Flat Tip, 11/20
- L014-319 GM3600 Flat Tip, 11/30
- L014-320 GM3600 Flat Tip, 11/40
- L014-321 GM3600 Flat Tip, 11/50
- L014-322 GM3600 Flat Tip, 11/60
- L014-324 GM3600 Flat Tip, 13/10
- L014-325 GM3600 Flat Tip, 13/20
- L014-326 GM3600 Flat Tip, 13/30
- L014-327 GM3600 Flat Tip, 13/40
- L014-328 GM3600 Flat Tip, 13/50
- L014-329 GM3600 Flat Tip, 13/60
- L014-330 GM3600 Flat Tip, 13/80
- L014-331 GM3600 Flat Tip, 15/10
- L014-332 GM3600 Flat Tip, 15/20
- L014-333 GM3600 Flat Tip, 15/30
- L014-334 GM3600 Flat Tip, 15/40
- L014-335 GM3600 Flat Tip, 15/50
- L014-336 GM3600 Flat Tip, 15/60
- L014-337 GM3600 Flat Tip, 15/80
- L014-338 GM3600 Flat Tip, 17/20
- L014-341 GM3600 Flat Tip, 17/40
- L014-342 GM3600 Flat Tip, 17/50
- L014-343 GM3600 Flat Tip, 17/60
- L014-344 GM3600 Flat Tip, 17/70

Pos. 52 - GM3600 Round Tip

- 0132720 Round Tip R11/2 (0.0066")
- 0132721 Round Tip R12/2 (0.0080")
- 0132722 Round Tip R13/2 (0.0092")
- 0132723 Round Tip R14/2 (0.0104")
- 0132724 Round Tip R15/2 (0.0110")
- 0132725 Round Tip R16/2 (0.0115")
- 0132726 Round Tip R17/2 (0.0121")
- 0132727 Round Tip R18/2 (0.0126")
- 0132728 Round Tip R19/2 (0.0132")
- 0132729 Round Tip R20/2 (0.0139")
- 0132730 Round Tip R21/2 (0.0145")
- 0132731 Round Tip R22/2 (0.0151")

Pos.	Part nos.	Description	Qty.
	L014-300	GM3600 Gun with 13/40 flat tip	
1	L014-350	Spring cap, 250 Bar	1
2	L014-351	Spring, fluid	1
3	L014-352	Spring, air	1
4	L014-353	Tension sleeve, compl.	1
5	L014-354	Collar	1
6	L014-355	Air valve body	1
7	* O L014-356	Air valve seal	1
8	* O 0179395	Air packing	1
9	O L014-358	Cap nut	1
10	L014-359	Packing nut	1
13	* O L014-360	Fluid packing	1
14	* O L014-361	O-ring	1
15	* O L014-362	Ball w/shaft (incl: 4,5,6,7,8,9,10,13,14)	1
16	L014-363	Fan adj. assy.	1
20	L014-364	Nut	1
21	L014-365	Trigger	1
22	L014-366	Trigger shaft	1
23	L014-367	Safety lock	1
24	L014-368	Cylindrical pin	1
25	L014-369	Tool, air valve seal (pos. 26)	1
26	* O L014-370	Seal, air valve	1
29	L014-381	Filter housing	1
30	L014-382	Screw	1
31	* L032-518	Filter, fine, 200M	1
	* L032-517	Filter, medium, 100M	opt
32	* O 0128389	Seal, nylon	1
33	* m L032-519	Spring, filter	1
34	L014-371	Fitting, fluid inlet, 1/4 NPS	1
35	* O L014-372	Seal ring, air cap	1
36	* O L014-373	O-ring	1
37	* O L014-374	Valve seat compl.	1

Pos.	Part nos.	Description	Qty.
38	* O L014-304	Seal, flat tip	1
39	*	Flat spray tip, see size chart above	1
40	L014-306	Air cap	1
	L014-308	Air cap, Blue for Latex.	opt
41	L014-379	O-ring, teflon (31x2)	1
42	L014-380	Ring, flat plastic (28x32x1.5)	1
	L002-551	Ring, flat plastic (28x32x2.5)	alt
43	L014-305	Tip retainer for flat tip	1
	L014-307	Tip retainer for BB reversible tips	opt
45	L014-375	Adaptor assy, round, incl pos 46-51 (opt.)	1
46	L014-376	Nozzle body (opt.)	1
47	* 0128327	Nipple, sealing (opt.)	1
48	* 0132516	Diffuser (opt.)	1
49	* 0132351	Screw, locking (opt.)	1
50	L014-377	Retaining Ring, round nozzle (opt.)	1
51	L014-378	Air cap, round nozzle (opt.)	1
52	*	Round spray tip, see size chart above (opt.)	1
55	L014-303	Seal (GM36 BB tip)	1
56	L038-008	Gasket, lacquer	1
57	L038-007	Metal seat	1
58	L014-307	Housing (GM36 BB tip)	1
59	L038-***	BB tip, see separate BB or BBFF charts	
60	L014-383	Air inlet fitting	1

Accessories:

- O L014-390 Repair kit 1

Symbols:

- * Indicates wearing part 1
- ◆ Use grease 1
- Use blue locktite 1
- ▼ Use thread sealant (Locktite 567 or equiv.) 1